



ROOTS Meters & Instruments

DATA SHEET

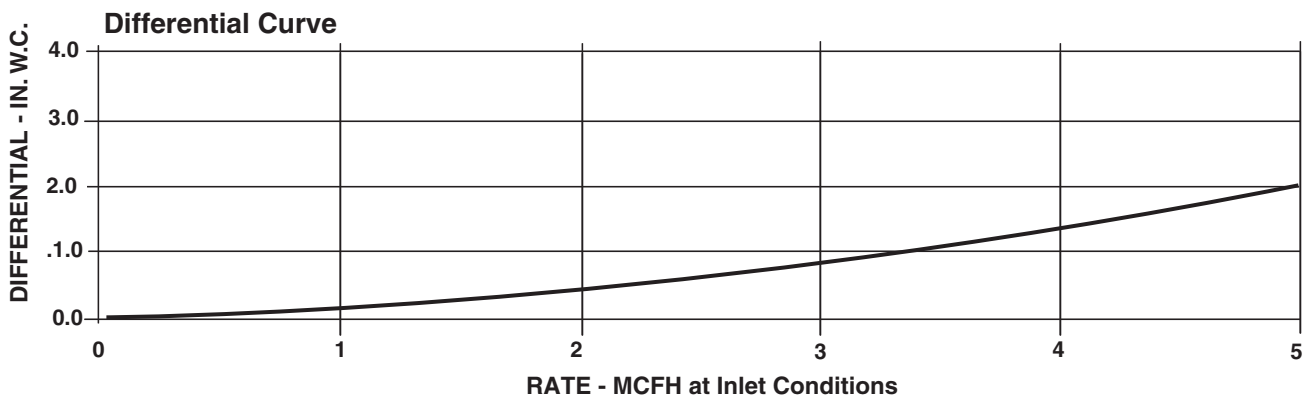
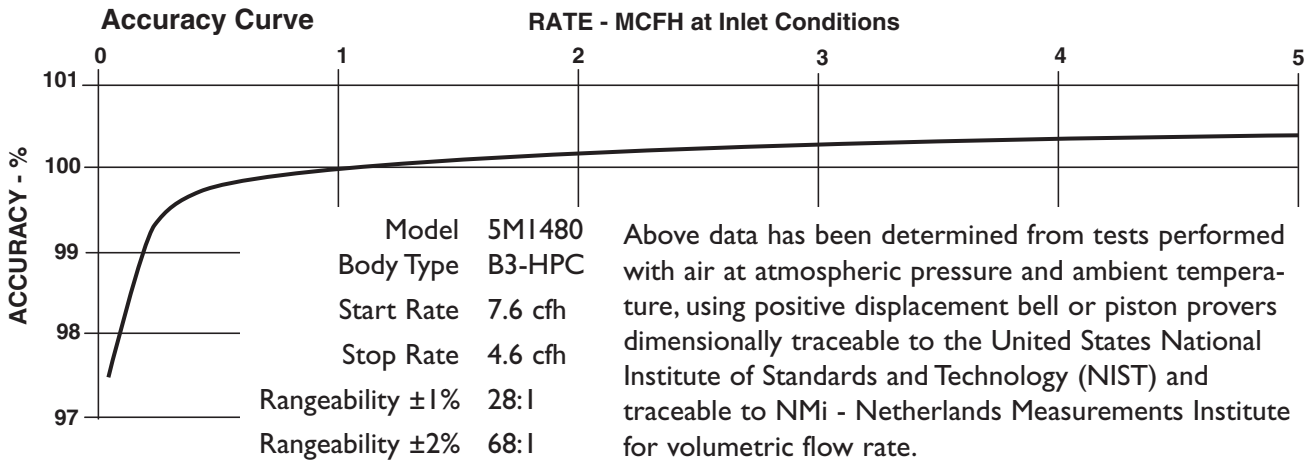
SERIES B3-HPC: 5MI480 ROOTS® Meter

	UNITS	Imperial	UNITS	Metric
Temperature Range	deg. F	-40 to +140	deg. C	-40 to +60
Base Rating (Q Max.)	acfh	5000	m ³ /h	141,6
Max. Operating Pressure (MAOP)	psig	1480	kPa	10200
Leak Test (125% MAOP)	psig	1850	kPa	12750
Static Test (2 x MAOP)	psig	2960	kPa	20400
Rangeability +/- 1%	ratio	28:1	ratio	28:1
Rangeability +/- 2%	ratio	68:1	ratio	68:1
Start Rate	cfh	7.6	m ³ /h	0,133
Stop Rate	cfh	4.6	m ³ /h	0,057
Flow Rate @ 0.5" w.c., Gas	cfh	3700	m ³ /h	104,8
Avg. Differential, 100% Flow	in. w.c.	2	mbar	2,24
Max. Pressurization Rate	psig/sec	5	kPa/sec	35
Max. Operating Speed	rpm	1500	rpm	1500
Gear Ratio	ratio	180:1	ratio	365,66:1
Displaced Volume/Revolution	cf	0.0556	m ³	0,001586
Drive Rate, CD	cf/rev	10	m ³ /rev	1
Min. Odometer Reading	cf	0.2	m ³	0,2
Odometer Turnover	yrs.	2.28	yrs.	2,28
Nominal Pipe Size	in.	3	mm	79,2
Flange-to-Flange	in.	14-3/4	mm	374,65
Flange Connection	ANSI	600#RF	ANSI	600#RF
Bolts per Flange	qty.	8	qty.	8
Bolt Size ¹	in.	3/4 - 10	in.	3/4 - 10
Flange Bolt Hole Depth	in.	1-1/8	mm	29
Bolt Torque: Lubricated/Non-Lub.	ft.-lb.	80	N-m	506
Restricting Orifice (100%)	in.	9/16	mm	14,3002
Oil Capacity - Side Inlet	oz.	18	ml	532
Oil Capacity - Top Inlet	oz.	37	ml	1094
Counter Version (CTR) ²				
Net Weight	lbs.	215	kg	97,52
Shipping Weight	lbs.	230	kg	104,3
Carton Size	in.	27 x 21 x 17	cm	68,5 x 53,3 x 43,2
Counter with Instrument Drive (CD) ²				
Net Weight	lbs.	215	kg	98,9
Shipping Weight	lbs.	230	kg	105,7
Carton Size	in.	27 x 21 x 17	cm	68,5 x 53,3 x 43,2

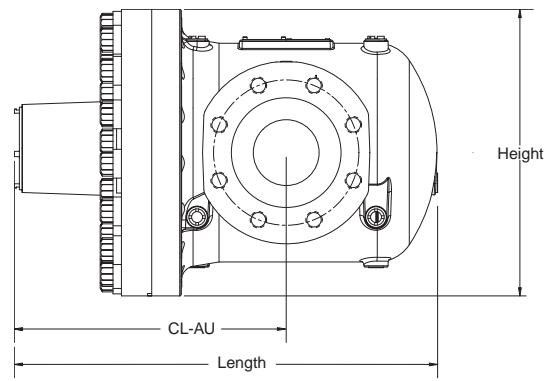
NOTES:

¹ Bolt Length varies by application.

² Weights and dimensions available for CPS upon request.



5M1480 Series B3-HPC	Overall Length		Overall Height		Centerline to Width (Flange/Flange)		Accessory End (CL-AU)		Request Detailed Drawing Number
	inches	mm	inches	mm	inches	mm	inches	mm	
CTR	19-9/32	490	13-1/16	332	14-3/4	375	12-13/32	315	D056135-000
CD	23-3/32	587	13-1/16	332	14-3/4	375	16-13/16	412	D056136-000
CPS	21-15/32	545	13-1/16	332	14-3/4	375	14-9/16	370	D056137-000



To order

Specify: Meter Series, Size and Type (i.e., ROOTS Meter Series B3-HPC 5M1480 CTR).
 For CD, specify Inlet (Top or Side) and ID Rotation (CW-B or CCW-A).
 For Pulsar, specify Single or Dual Connectors and Connector Type (MS Circular, Conduit, or Cable Gland).
 For more specific ordering information on the electronic products, request: TS:SSP or TS: MC.
 Contact the factory for other available information, options, or special requests.



Dresser Roots Meters & Instruments

P. O. Box 42176
 Houston, TX USA 77242-2176
 website: www.dresser.com

Dresser, Inc.

Inside US Ph: 800.521.1114 Fax: 800.335.5224
 Outside US Ph: 281.966.4300 Fax: 281.966.4308
 www.rootsmeters.com