

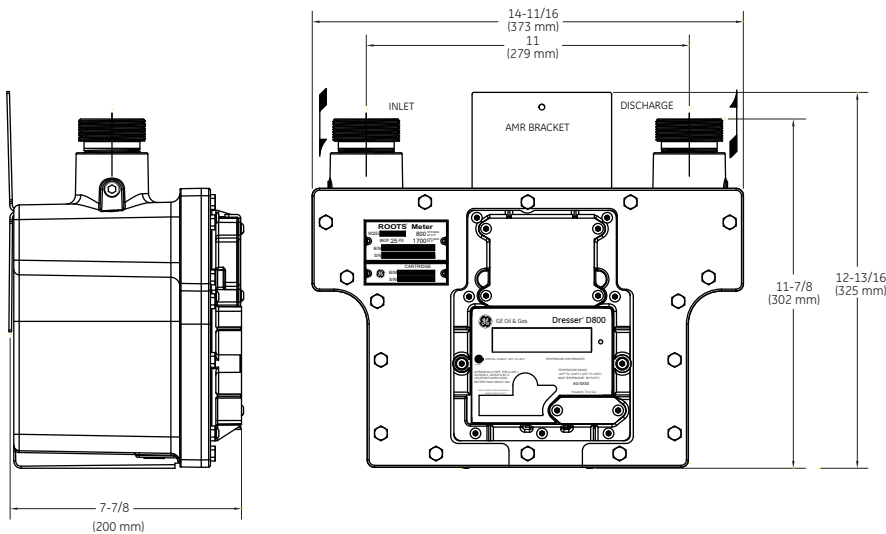
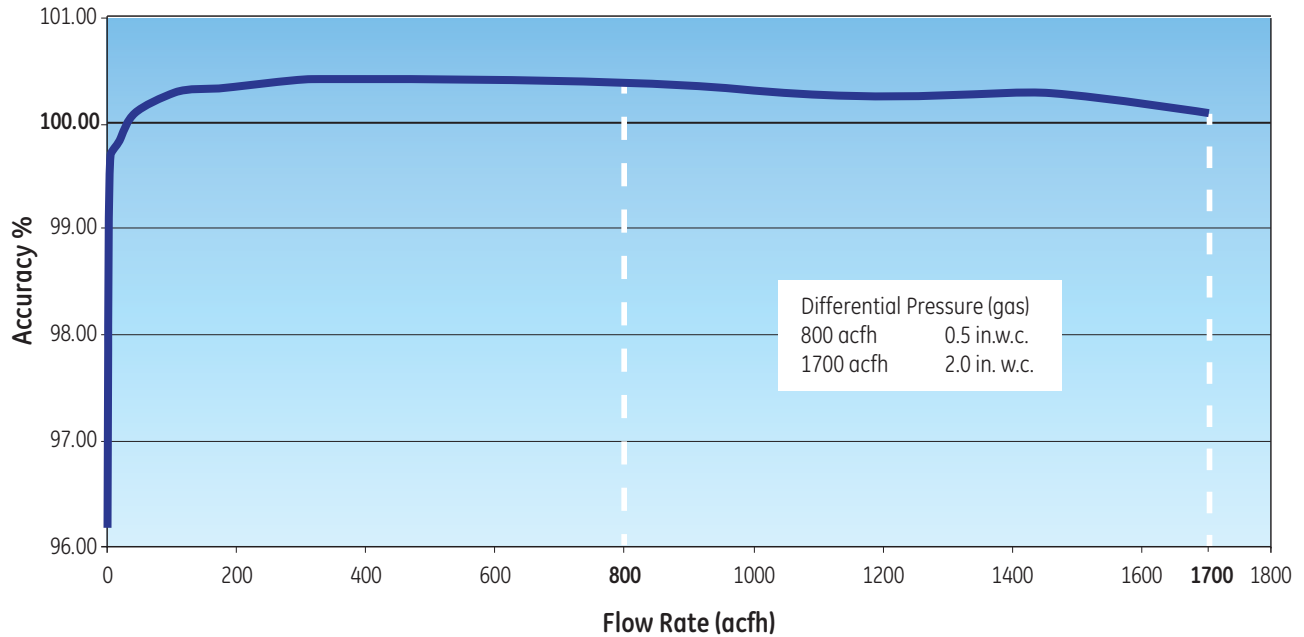
Dresser* D800 Meter

	Units	Imperial	Units	Metric
Base Rating (Q Max) @ 0.5" w.c., Gas	acfh	800	m ³ /h	22,6
Base Rating (Q Max) @ 2" w.c., Gas		1700		48
Maximum Operating Pressure (MAOP)	psig	25	kPa	172.4
Temperature Range	deg. F	-40°F to +140°F	deg C	-40°C to +60°C
Leak Test (125% MAOP)	psig	32	kPa	220.6
Static Test (2 x MAOP)	psig	50	kPa	344.7
Rangeability +/- 1% at Qmax = 800 acfh	ratio	100:1	ratio	100:1
Rangeability +/- 1% at Qmax = 1700 acfh	ratio	212:1	ratio	212:1
Rangeability +/- 2% at Qmax = 800 acfh	ratio	160:1	ratio	160:1
Rangeability +/- 2% at Qmax = 1700 acfh	ratio	340:1	ratio	340:1
Start Rate	cfh	0.30	m ³ /h	0.0085
Stop Rate	cfh	0.15	m ³ /h	0.0042
Maximum Pressurization Rate	psig/sec	5	kPa	35
Maximum Operating Speed (1700 acfh)	rpm	3825	rpm	3825
Displaced Volume/Revolution	cf	0.007407	m ³	0.000210
Temperature Compensation Range	deg F	-40°F to +140°F	deg C	-40°C to +60°C
Minimum Odometer Reading (under residual volume screen)	cf	0.001	m ³	0.0001
Odometer Multiplier	cf	X100	m ³	X1
Odometer Configuration		5-8 digits		5-8 digits with 0-2 decimals
Ferrule (Spud) Connection		30 LT/45LT/60LT/#3 Sprague/#4 Sprague		same
Spud to Spud	in.	11	mm	279.4
Net Weight	lbs.	24	kg	10.8
Shipping Weight	lbs.	28.5	kg	13
Carton Size	in.	19 x 12-3/4 x 16	cm	48.26 x 32.385 x 40.64



Advanced Low Flow Capability

From starting flow rate to full capacity the Dresser D800 meter provides excellent measurement accuracy with superior rangeability and start/stop rates.



Request detailed drawing number - D060322

To order:
Specify Dresser D800 Meter and Ferrule (spud) connection type.

Contact the factory for other available information, options, or special requests.

Note: All performance data is averaged and indicative of meter performance. Individual meter characteristics may vary.

GE Oil & Gas

16240 Port Northwest Dr., Suite 100
Houston, Texas 77041-2645
Inside US Ph: 800.521.1114
Fax: 800.335.5224
Outside US Ph: 832.590.2303
Fax: 832.590.2494

Visit us online at:
ge.com/energy

© 2012 General Electric Company
All Rights Reserved
*Denotes trademarks of General Electric Company

